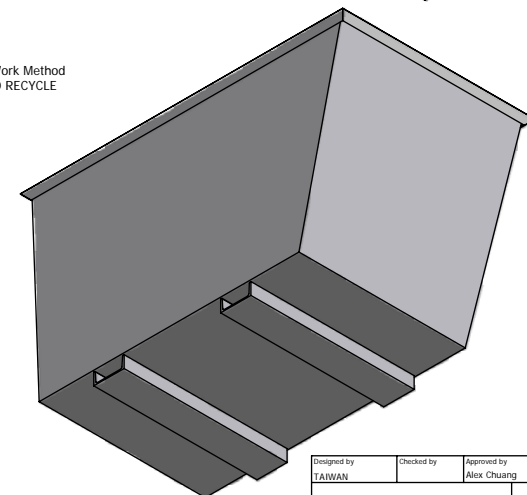
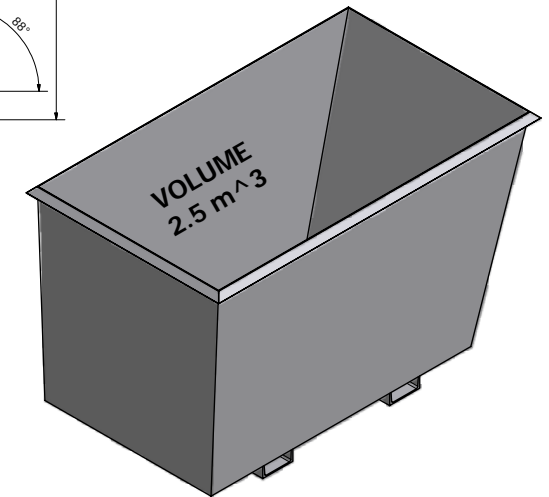


NOTE- A:
 1. THE WORKING LOAD LIMIT
BIN-SC-REC-1
WLL=800 kg (78.48 KN)

2. Tare mass of the Bin (TMB) is 300 kg (29.43KN)

3. A tag, with the information such as :
 -WORKING LOAD LIMIT
 -TARE MASS
 -TYPE AND MINIMUM CAPACITY OF THE HANDLING MACHINE
 -WARNING SIGN
 -IDENTIFICATION NUMBER
 is required.

NOTE- B:
 The Recycling Scrap Bin -
BIN-SC-REC-1
 can be used only with an appropriate Work Method
 Statement (WMS) issued by "SHEN PAO RECYCLE
 AUSTRALIA".



Designed by TAIWAN	Checked by Alex Chuang	Approved by Alex Chuang	Date 25/07/2007
SHEN PAO RECYCLE AUSTRALIA		RECYCLING SCRAP BIN	
BIN-SC-REC-1		Edition 1 / 1	Sheet 1 / 1